

GUEST ROOM

TOUGH BOARDTM
RUGGED & STRONG

EMBERTONTM



NEW GENERATION
**IRONING CENTRE
SYSTEM**

TOUGH BOARD SERIES

info@emberton.com
www.emberton.com



IRONING CENTRE System

EMBERTON™



Our TOUGH BOARD series of engineered ironing centres offer rugged and strong boards, combined with advanced steam and dry irons - all to be stowed neatly on the wardrobe rail.

Each ironing centre is complete with a swivel holster unit, anti-theft cable lock and a choice of iron types.



1600W Steam Iron



1200W Dry Iron



SWIVEL Iron Holster



ANTI-THEFT Cable Lock



STORES NEATLY On Rail



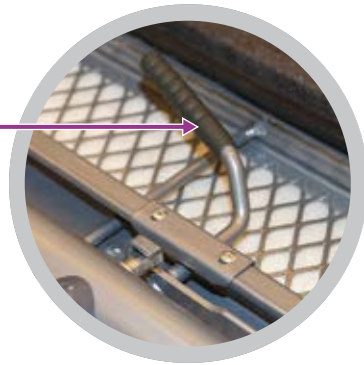
IRONING BOARD

Engineered Series

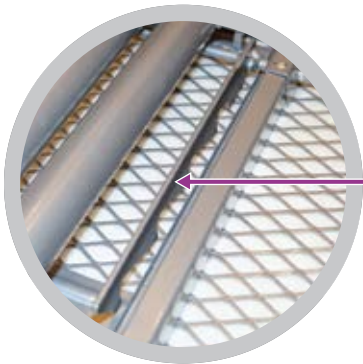
EMBERTON™



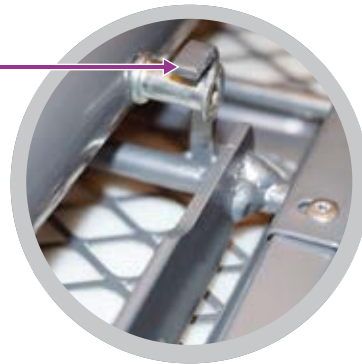
RUGGED TUBE
Frame Legs 38mm/28mm



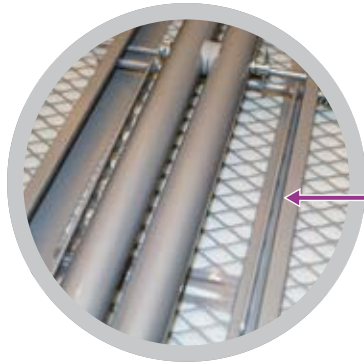
STRONG DOUBLE HANDLE
Height Adjustment Lever



SUPER THICK
Height Adjustment Rail



EXTRA THICK
Safety Lock



EXTRA THICK SUB-FRAME
Structure



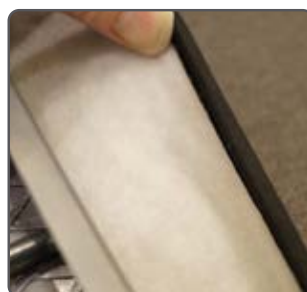
HEAVY DUTY ANGLE PROFILE
Metal Components & Robotic Welds



METALLIC HEAT REFLECTIVE
Iron Board Cover



SMOOTH BINDING EDGES
To Withstand Fraying



2MM FOAM & 5MM FELT
Combination Padding



STEAM FLOW METAL MESH
Top

TOUGH BOARD™

RUGGED & STRONG



TOUGH IRONING BOARD

- Rugged Tube Frame Legs 38mm/28mm
- Steam Flow Metal Mesh Top
- 2mm Foam and 5mm Felt Combination Padding
- Smooth Binding Edges to Withstand Fraying
- Cover Material : Cotton with Felt Underlay
- Cover Colour : Charcoal Grey
- Frame Colour : Silver Grey
- Board Dimensions :
Compact - 97cm x 33cm / Full - 109cm x 38cm
- Maximum Height :
Compact - 76cm / Full - 87cm

Also available



REGULAR IRONING BOARD
with Fixed Metal Iron Rest



1600W STEAM IRON

- Dual Safe - Thermostat & Latest Technology Internal Fuse
- Motion Sensor Auto-Cut Off Safety- 30 Seconds unattended on soleplate and 5 minutes upright
- ECO Auto Off Function for Energy Saving & Environmental Protection
- Special Anti-drip feature to prevent water dripping through steam outlets after water cools
- Anti-calc to remove the limescale build up

- New water tank assembly method using wire frame and latest thermo-weld technology
- 250 ML Capacity water reservoir
- Non-Stick Soleplate
- Extra long 250cm cable
- Plate size: 206mm X 113mm
- Power : AC 220-240V, 50/60Hz

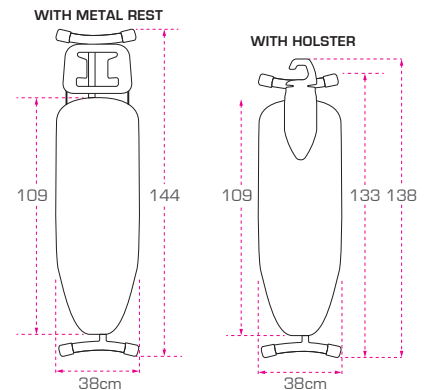


1200W DRY IRON

- Dual Safe - Thermostat & Latest Technology Internal Fuse
- Motion Sensor Auto-Cut Off Safety - 30 Seconds unattended on soleplate and 5 minutes upright
- ECO Auto Off Function for Energy Saving & Environmental Protection
- Overheat Safety Protection
- Generous 250 cm cord
- Tough Non-Stick Soleplate
- Operating Light with Cut-Out Indicator
- Available in EU & BS plug variants
- CE, CB, RoHS & GS Approved
- Plate size: 200mm x 110mm
- Power : AC 220-240V, 50/60Hz

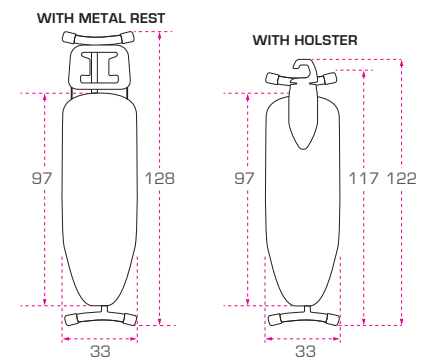
IRONING BOARD FULL SIZE

(Dimensions in CM)



IRONING BOARD COMPACT SIZE

(Dimensions in CM)



PRODUCT RANGE	ART NUMBER	
IRONING CENTRE FULL SIZE WITH 1200W DRY IRON	BROMHAM	UK PLUG : EH50441 EU PLUG : EH50442
IRONING CENTRE FULL SIZE WITH 1600W STEAM IRON	KINGSMEAD	UK PLUG : EH50429 EU PLUG : EH50428
IRONING CENTRE COMPACT SIZE WITH 1200W DRY IRON	ELSTOW	UK PLUG : EH50443 EU PLUG : EH50444
IRONING CENTRE COMPACT SIZE WITH 1600W STEAM IRON	STAGSDEN	UK PLUG : EH50430 EU PLUG : EH50431
IRONING BOARD COMPACT SIZE WITH FIXED METAL IRON REST	ROTHWELL	EH50383
1600W STEAM IRON	HERTFORD	UK PLUG : EH50502 EU PLUG : EH50501
1200W DRY IRON	YARDLEY	UK PLUG : EH50549 EU PLUG : EH50548

