

EMBERTON™

STROUD IRONING CENTRE
SAFE. UNIQUE.
ROBUST. CONVENIENT

TOUGH BOARD™
RUGGED & STRONG



ANTI-THEFT CABLE LOCK
 on Optional Iron Board Mount Bracket

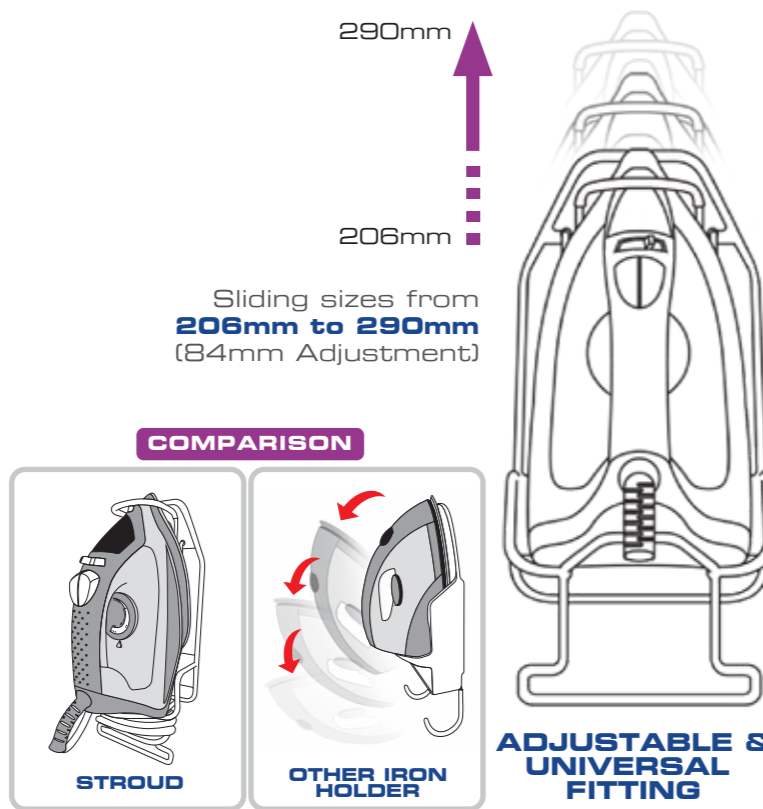


Design Protected by International Registered Designs & Patents Pending © Emberton Group Inc

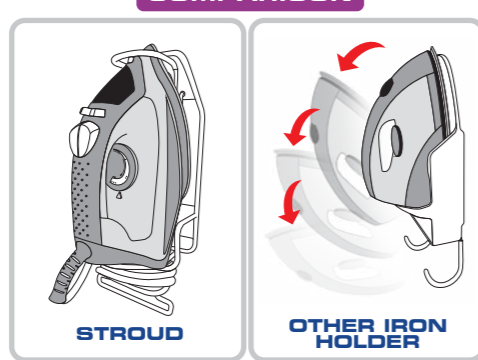
- Unique and Patented Design – sliding frame design secures iron
- Convenient, Easy and Safe – swivel, lift out & replace during ironing
- Universal Fitting - Suits and fits almost all iron types and sizes
- Protective Silicon Pad protects sole plate
- System Options – Ironing Centre or Iron Store

IRON BOARD HOLDER OPTIONS AVAILABLE

SUITS AND FITS YOUR IRON TYPES AND SIZES



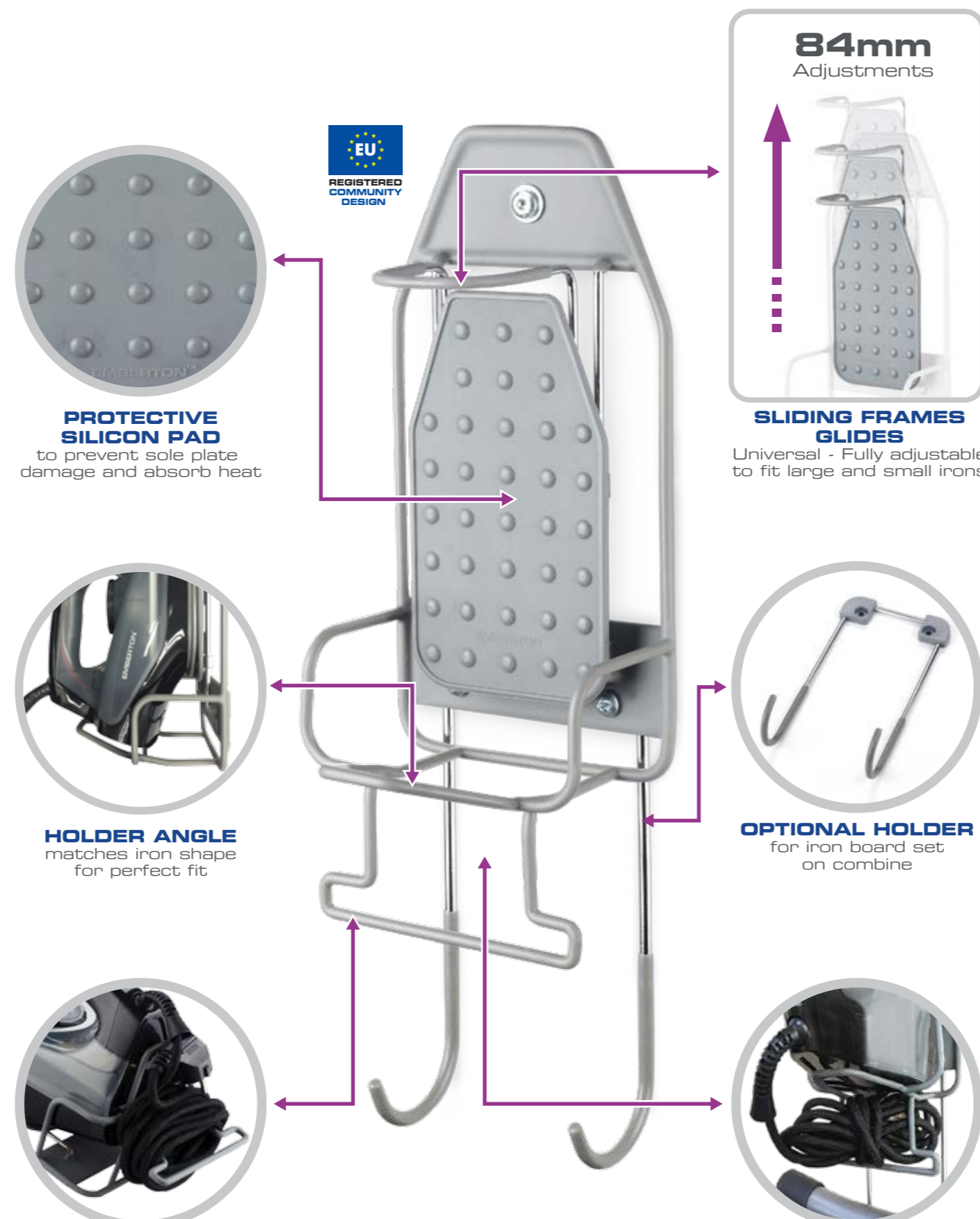
COMPARISON



ADJUSTABLE & UNIVERSAL FITTING

EMBERTON™

STROUD IRON HOLDER
 UNIVERSAL & SPACE EFFICIENT



84mm Adjustments

SLIDING FRAMES GLIDES
 Universal - Fully adjustable to fit large and small irons

PROTECTIVE SILICON PAD
 to prevent sole plate damage and absorb heat

HOLDER ANGLE
 matches iron shape for perfect fit

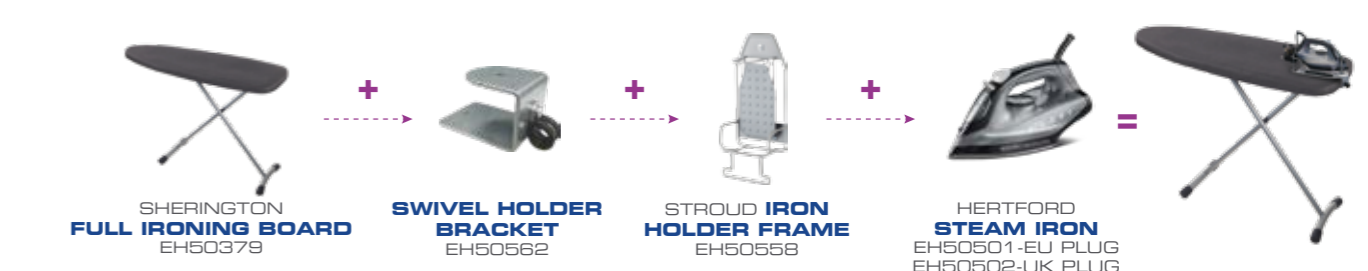
INTEGRATED CABLE WRAP
 Cables may be neatly wrapped around frame

OPTIONAL HOLDER
 for iron board set on combine

RAPID CABLE TIDY SLOT
 Cables may be bundled and inserted to save time

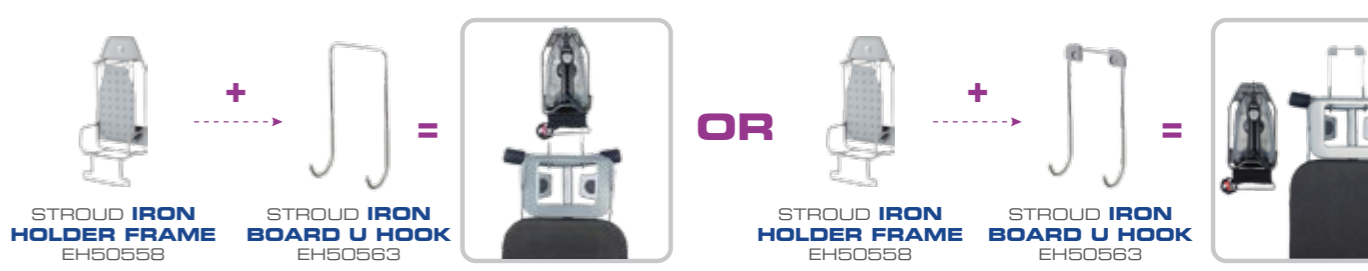


SELECTION & CONFIGURATION SYSTEM COMPONENTS



PRODUCT RANGE	ART NO
COMBO 1 STROUD IRONING CENTRE WITH FULL SIZE BOARD & HERTFORD STEAM IRON FULL SIZE IRONING BOARD - SHERINGTON 109 x 38 x 87cm STEAM IRON (BLACK) - HERTFORD 26.6 x 12 x 14cm	EH50586 (EU PLUG) EH50587 (UK PLUG)
COMBO 2 STROUD IRONING CENTRE WITH COMPACT SIZE BOARD & HERTFORD STEAM IRON COMPACT SIZE IRONING BOARD - MOULTON 97 x 33 x 76cm STEAM IRON (BLACK) - HERTFORD 26.6 x 12 x 14cm	EH50590 (EU PLUG) EH50591 (UK PLUG)
COMBO 3 STROUD IRONING CENTRE WITH FULL SIZE BOARD & YARDLEY DRY IRON FULL SIZE IRONING BOARD - SHERINGTON 109 x 38 x 87cm DRY IRON (BLACK) - YARDLEY 25.7 x 11.4 x 12.6cm	EH50588 (EU PLUG) EH50589 (UK PLUG)
COMBO 4 STROUD IRONING CENTRE WITH COMPACT SIZE BOARD & YARDLEY DRY IRON COMPACT SIZE IRONING BOARD - MOULTON 97 x 33 x 76cm DRY IRON (BLACK) - YARDLEY 25.7 x 11.4 x 12.6cm	EH50592 (EU PLUG) EH50593 (UK PLUG)

WALL FIX OPTIONS



IRON BOARD HOLDERS

- Stores ironing board efficiently in wardrobe or on wall
- Removable, anti-theft or wall mounted options available

OR CHOOSE FROM THE FOLLOWING IRON BOARD HOLDER OPTIONS AVAILABLE

HYDE IRONING BOARD WALL BRACKET	EH50508		SANDHURST UNIVERSAL IRON BOARD HOLDER SECURITY RAIL LOOP	EH50566		SANDHURST UNIVERSAL IRON BOARD HOLDER OPEN RAIL HOOK	EH50556	
--	---------	--	---	---------	--	---	---------	--



DRY & STEAM IRONS
STEAM. EXPERT.
SAFE. FAST. EFFICIENT

- DUAL SAFE – Thermostat and latest technology thermo-fuse for double safe circuit protection
- Durable, Safe & Elegant – Outstanding Ironing Performance & Quality



**YARDLEY
1200W DRY IRON**

UK PLUG : EH50549
EU PLUG : EH50548

- Motion Sensor Auto-Cut Off Safety – 30 Seconds unattended on soleplate and 5 minutes upright
- Dual Safe Thermostat & Latest Technology Internal Fuse
- ECO Auto Off Function for Energy Saving & Environmental Protection
- Overheat Safety Protection
- Cable cord guard tested to 20,000 cycles to ensure cable safety
- Generous 250 cm cord
- Tough Non-Stick Soleplate
- Narrow Front Tip – reaches confined areas
- Large Temperature Adjustment Dial
- Operating Light with Cut-Out Indicator
- Extra Safe Sealed Safety Plug
- Gloss Skirt with Attractive Black & Grey Design
- Contoured Grip Handle
- Available in EU & BS plug variants
- CE, CB, RoHS & GS Approved
- Plate size: 200mm x 110mm
- Power : AC 220-240V, 50/60Hz
- Weight : 745g



AUTO-OFF 30 SECS
AUTO-OFF 5 MINS



**HERTFORD BLACK
1600W STEAM IRON**

UK PLUG : EH50502
EU PLUG : EH50501

- Motion Sensor Auto-Cut Off Safety – 30 Seconds unattended on soleplate and 5 minutes upright
- Dual Safe Thermostat & Latest Technology Internal Fuse
- ECO Auto Off Function for Energy Saving & Environmental Protection
- Special Anti-drip feature to prevent water dripping through steam outlets after water cools
- Anti-calc to remove the limescale build up
- New water tank assembly method using wire frame and latest thermo-weld technology
- New thermostat series using silver coated technology ensuring much more accurate thermostat temperature dial match
- 250 ML Capacity water reservoir
- Cable cord guard tested to 20,000 cycles to ensure cable safety
- More powerful steam burst for improved ironing efficiency
- Non-Stick Soleplate
- Extra long 250cm cable
- LED Green & Red In-Use Indicator Light
- Auto Off Indicator Light
- Operating Light with Cut-Out Indicator
- CE, CB, RoHS & GS Approved
- UK or EU Plug variants
- 360° angle swivel cord
- Easy to use temperature/textile dial gauge
- Includes Refill Beaker
- Plate size: 206mm x 113mm
- Power : AC 220-240V, 50/60Hz



AUTO-OFF 30 SECS
AUTO-OFF 5 MINS
VERTICAL STEAM
ANTI DRIP
ANTI CALC



**HERTFORD WHITE
1600W STEAM IRON**

UK PLUG : EH50547
EU PLUG : EH50546



GUEST ROOM

**TOUGH IRONING BOARD
ENGINEERED SERIES**

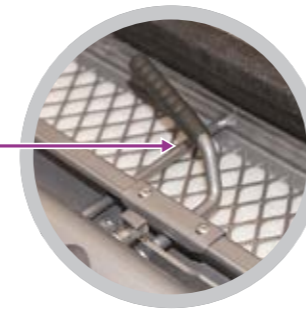
- Rugged Tube Frame Legs 38mm/28mm
- Steam Flow Metal Mesh Top
- 2mm Foam & 5mm Felt Combination Padding
- Smooth Binding Edges to Withstand Fraying
- Cover Material : Cotton with Felt Underlay
- Cover Colour : Charcoal Grey
- Frame Colour : Silver Grey
- Maximum Height :
Full size - 87cm / Compact size - 76cm
- Board Dimensions :
Full size - 109cm x 38cm / Compact size - 97cm x 33cm



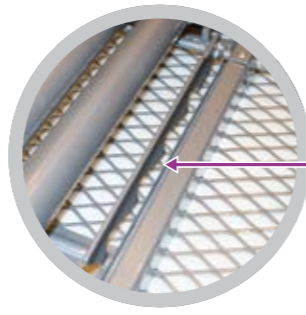
**REGULAR
IRONING BOARD**
with Fixed Metal
Iron Rest



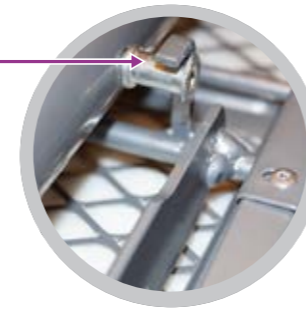
**RUGGED TUBE
Frame Legs**
38mm/28mm



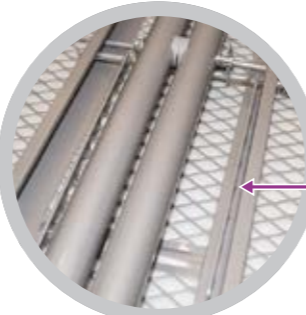
**STRONG DOUBLE
HANDLE**
Height Adjustment Lever



**SUPER THICK
Height Adjustment Rail**



**EXTRA THICK
Safety Lock**



**EXTRA THICK
SUB-FRAME
Structure**



**OTHER BRAND
TOUGH BOARD**
**HEAVY DUTY
ANGLE PROFILE**
Metal Components &
Robotic Welds



**METALLIC HEAT
REFLECTIVE
Iron Board Cover**

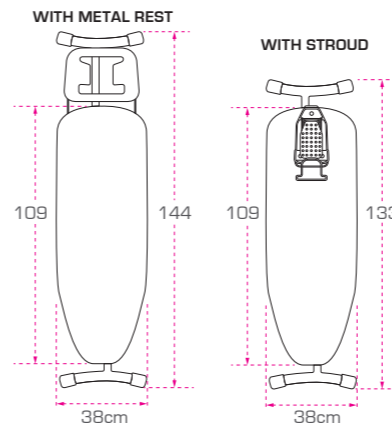


**SMOOTH BINDING
EDGES**
To Withstand Fraying

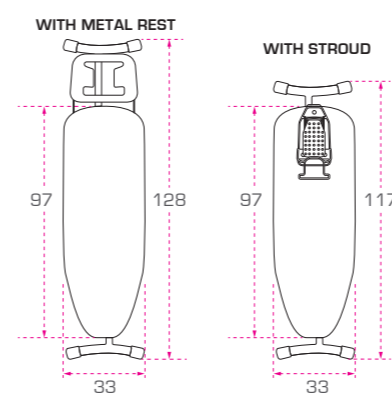


**2MM FOAM &
5MM FELT
Combination Padding**

**IRONING BOARD
FULL SIZE**
(Dimensions in CM)



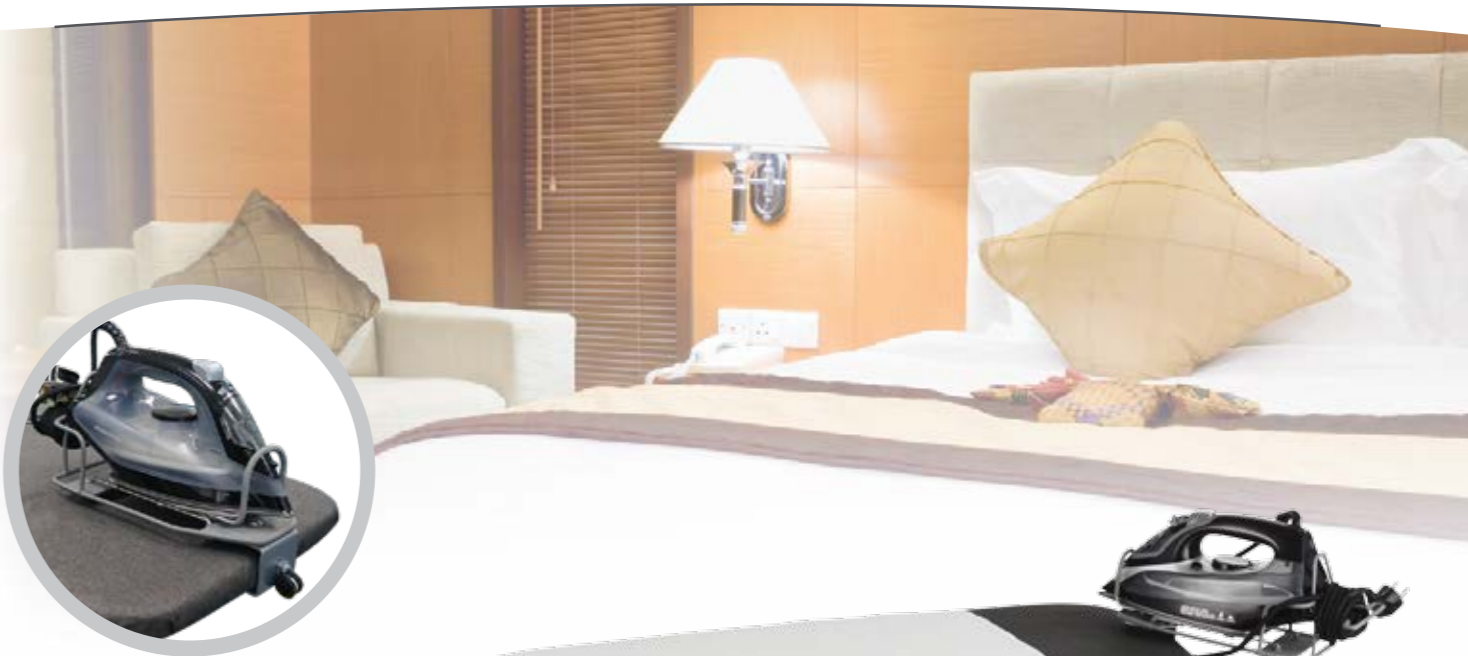
**IRONING BOARD
COMPACT SIZE**
(Dimensions in CM)



info@emberton.com
www.emberton.com

GUEST ROOM

**STROUD
IRONING CENTRE STORE &
SAFETY SYSTEM**



**UNIQUE &
PATENTED DESIGN**
Sliding Frame Secure Iron for
complete ironing centre system



Stores Easily on
WARDROBE RAIL
Easy to Lift & Replace



Use as
**WALL MOUNTED IRON
& BOARD STORE**
with Tidy Cables

**NEW GENERATION
IRONING CENTRE
STORE & SAFETY
SYSTEM**

Design Protected by
International Registered Designs
& Patents Pending
© Emberton Group Inc

info@emberton.com
www.emberton.com